



INSTALLATION, OPERATION & MAINTENANCE INSTRUCTIONS

1455 Kleppe Lane ♦ Sparks, NV 89431-6467 ♦ (775) 359-4712 ♦ Fax (775) 359-7424
E-mail: haws@hawsco.com ♦ website: www.hawsco.com

No. 0510000480 (4)

Model 7603/7603T/7603T240 Portable Eyewash / Portable Eyewash with Heater

NOTE TO INSTALLER: Please leave this information with the Maintenance Department.

LIMITED WARRANTY

HAWS warrants that this specific product is guaranteed against defective material or poor workmanship for a period of **one year from date of shipment**. HAWS liability under this warranty shall be discharged by furnishing without charge F.O.B. HAWS Factory any goods, or part thereof, which shall appear to the Company upon inspection to be of defective material or not of first class workmanship, provided that claim is made in writing to Haws within a reasonable period after receipt of the product. Where claims for defects are made, the defective part or parts shall be delivered to the Company, prepaid, for inspection. HAWS will not be liable for the cost of repairs, alterations or replacements, or for any expense connected therewith made by the owner or his agents, except upon written authority from HAWS, Sparks, Nevada. HAWS will not be liable for any damages caused by defective materials or poor workmanship, except for replacements, as provided above. Buyer agrees that Haws has made no other warranties either expressed or implied in addition to those above stated, except that of title with respect to any of the products or equipment sold hereunder and that HAWS shall not be liable for general, special, or consequential damages claimed to arise under the contract of sale.

The emergency equipment manufactured by HAWS is warranted to function if installation and maintenance instructions provided are adhered to. The units also must be used for the purpose for which they were intended. This product is intended to supplement first-aid treatment. Due to widely varying conditions, Haws cannot guarantee that the use of this emergency equipment will prevent serious injury or the aggravation of existing or prior injuries.

NO OTHER WARRANTIES EXPRESSED OR IMPLIED ARE AUTHORIZED, PROVIDED OR GIVEN BY HAWS.

SHOULD YOU EXPERIENCE DIFFICULTY WITH THE INSTALLATION OF THIS MODEL PLEASE CALL:

TECHNICAL SUPPORT: 1-800-766-5612

FOR CUSTOMER SERVICE: 1-888-640-4297

CAUTION : A GROUND FAULT DEVICE MUST BE USED WITH THIS HEATING DEVICE.

ATTENTION : CE PRODUIT DOIT ÊTRE UTILISÉ AVEC UNE PROTECTION DE MISE À LA TERRE.

RECOMMENDED TOOLS: Assorted tools as needed for installing power cord (7603T240 only).

LOCATION OF UNIT: The Model 7603/7603T/7603T240 eyewash units should be placed in close proximity to potential accident areas. It should be clearly identified, free from obstructions and easily accessible. **IMPORTANT: Model 7603 eyewash units (non-insulated) shall be protected from freezing. Models 7603/7603T/7603T240 shall not have internal temperatures exceeding 38°C (100°F) and shall not be exposed to ambient temperatures exceeding 38°C (100°F). Be careful of direct sunlight.**

WARNING: Use only the handles and the tank skirt when lifting or moving this unit; doing otherwise may damage the unit. Do not lift the eyewash by the insulation blanket (if installed).

ELECTRICAL CONNECTIONS: (reference manual supplied with heating blanket)

Model 7603T – 120VAC, 60 Hz, 1.38A. Requires a three-prong outlet and is supplied with a heavy-duty 8 foot power cord with GFCI plug. Unit is suitable for installation and use in NEMA/TYP E 3R areas. Must be used with NEMA/TYP E 3R certified covered outlet (not supplied). **DURING POTENTIAL FREEZING PERIODS INSURE THAT UNIT IS CONNECTED TO A CONTINUOUS POWER SUPPLY.**

Model 7603T240 – 240VAC, 50/60 Hz, 0.64A. Requires a 240VAC outlet and is not supplied with a power cord which must be installed by the user. Unit is suitable for installation and use in NEMA/TYP E 4 areas. Power connection to be per local code using flexible conduit or cable rated NEMA/TYP E 4 – no rigid connection permitted. **MUST BE PROTECTED BY a Class A GROUND FAULT CIRCUIT INTERRUPTER (GFCI). DURING POTENTIAL FREEZING PERIODS INSURE THAT UNIT IS CONNECTED TO A CONTINUOUS POWER SUPPLY.**

NOTICE: Under ideal conditions, Model 7603 eyewash tank should last for 1600 cycles or 30 years, whichever comes first. Due to differing environments and end user conditions, caution should be observed and the product should be regularly monitored for wear, corrosion, and/or rough service, which can shorten the life of the product. The product should be removed from service if any wear or detrimental service issues occur and should, at minimum, be inspected annually.

AMBIENT TEMPERATURE RATINGS:

-20°F (-29°C) TO 100°F (38°C)

INSTALLATION INSTRUCTIONS

NOTE: Instructions apply to all models unless otherwise specified.

STEP 1: **Models 7603T/7603T240:** Install the blanket and connect to power source per the Installation Manual provided with the heating blanket. Make sure eyewash tank is sitting on the plastic spacers on bottom of the blanket and not crushing the heat trace cable.

CAUTION – DO NOT ENGERIZE THE HEATING BLANKET POWER SOURCE UNTIL THE EYEWASH IS FILLED WITH FLUSHING FLUID (UP TO FILL LINE).

NOTICE: MODEL 7603T240 REQUIRES MINIMUM NEMA/TYPE 4 COMPLIANT EQUIPMENT. ALL POWER CONNECTIONS MUST BE MADE ACCORDING TO NEC/ CEC CODE USING FLEXIBLE CONDUIT OR CABLE RATED FOR NEMA/TYPE 4 – NO RIGID CONNECTION PERMITTED.

STEP 2: Use potable water to flush and drain the tank.

STEP 3: Apply a small bead of Dow Corning 832 sealant around the threaded end of the dip tube, approximately at the second thread from the end of the tube. Thread and hand-tighten the dip tube into the bottom of the eyewash plumbing.

STEP 4: Fill the tank with 10 gallons of clean, potable water (note fill line on label or blanket). Add Antimicrobial Preservative Haws Model 9082 as directed (see Step 3 under Maintenance section).

STEP 5: Place the eyewash plumbing onto the tank opening, with the gasket sandwiched between the two.

STEP 6: Install the clamp to secure and seal the bottom of the eyewash plumbing to the tank opening. **Tighten clamp bolts to 10 ft. lb. of torque.** Tighten each bolt incrementally until both sides are tightened appropriately. Insert cotter pins into holes in clamp bolts. **NOTE:** If the optional Haws Model 8901B was purchased for this unit, remove the plug from the back of the 7603's eyewash plumbing and install drench hose now. Seal this connection with pipe joint sealant PST #567 (Loctite) (not supplied).

STEP 7: Charge the tank with clean compressed air to 75 PSI through the tire-type air valve.

STEP 8: **Model 7603T/7603T240:** Energize power source and verify operation of heating blanket. (Refer to Operation Manual supplied with the heating blanket)

STEP 9: Attach the supplied inspection tag to a convenient location on the tank. The unit is ready for operation.

IMPORTANT SAFETY NOTICE

THE NATIONAL ELECTRICAL CODE REQUIRES GROUND-FAULT EQUIPMENT PROTECTION ON EACH HEATING CABLE BRANCH CIRCUIT. TO REDUCE THE RISK OF FIRE CAUSED BY DAMAGE OR IMPROPER INSTALLATION, CIRCUIT BREAKERS SUCH AS SQUARE D QO-EPD AND QOB-EPD OR EQUIVALENT, WITH A 30mA TRIP LEVEL, SHOULD BE USED. PLEASE SUBSTITUTE THESE BREAKERS WHEREVER REFERENCE IS MADE TO CONVENTIONAL BREAKERS IN THIS DOCUMENT. ALTERNATIVE DESIGNS PROVIDING COMPARABLE LEVELS OF GROUND-FAULT PROTECTION MAY ALSO BE ACCEPTABLE.

OPERATION INSTRUCTIONS

Self-adjusting flow controls assure a constant flow at or above .4 gpm, for at least 15 minutes. Instruct all employees in the use of this Portable Emergency Eyewash. Personnel should be assigned to check eyewash liquid level and pressure before any work starts.

- STEP 1:** Lead the injured person to the nearest eyewash station. Seconds can make a big difference in preventing serious eye injury.
- STEP 2:** Push the flag to activate the eyewash.
IMPORTANT: Do not use the optional drench hose simultaneously with the eyewash. This will exhaust the water supply too quickly for thorough eye irrigation.
- STEP 3:** Lower head until eyes enter the eyewash stream. Use thumbs and forefingers to hold eyelids open so water can flow on surfaces and in folds surrounding eyeballs.
- STEP 4:** Seek qualified medical attention immediately.

CAUTION – MODELS 7603T/7603T240 NEED TO BE FULLY DRAINED ONCE ACTIVATED. ALL WATER MUST BE REMOVED ABOVE THE BALL VALVE AND EYEWASH/DRENCH HOSE DRAINED. THE HEATED BLANKET WILL NOT PREVENT WATER ABOVE THE BALL VALVE FROM FREEZING.

MAINTENANCE

IMPORTANT: BLEED ALL PRESSURE FROM UNIT BEFORE REMOVING CLAMP BOLTS.

Bleed pressure from the tank by pulling the metal ring on the relief valve. Keep hands and face away from the relief valve as it discharges, and wear hearing protection.

– OR –

Activate eyewash and allow unit to drain normally. Note that air will continue to escape after the water supply has been exhausted.

NOTE: Customer must use the supplied inspection tag to maintain a record of inspection dates and type of maintenance performed (e.g. adding Antimicrobial Preservative Haws Model 9082, cleaning tank).

STEP 1: When the unit is filled with 10 gallons of water, it weighs approximately 123 lbs. Use good judgment to check the water level. See Step 4 for additional information regarding units that have been activated.

STEP 2: Self-contained eyewash equipment shall be visually checked to determine if flushing fluid needs to be changed or supplemented. See Step 4 for additional information regarding units that have been activated.

STEP 3: Take proper precautions to help prevent the growth of bacteria in the eyewash tank. Utilize **either** of the following procedures:

NOTE: **Disconnect Model 7603T/7603T240 from power source before performing any maintenance.**

Procedure A: Use a suitable Antimicrobial Preservative, such as Haws Model 9082, to help prevent the growth of bacteria in eyewash tank. The tank should be drained, flushed and refilled with potable water and Antimicrobial Preservative Haws Model 9082 as directed by the preservative's manufacturer.

Procedure B: Drain, flush and refill tank with potable water at least once every week. Thoroughly cleanse tank at least once every month.

NOTE: Acanthamoeba survive mild chlorination and are commonly found in tap water. Antimicrobial Preservative Haws Model 9082 will prevent the growth of Acanthamoeba. Hot water, 158°F (70°C) or hotter will destroy Acanthamoeba but must be allowed to cool prior to use in eyewash units.

STEP 4: If tank pressure drops below 70 psi, ensure the following steps are implemented:

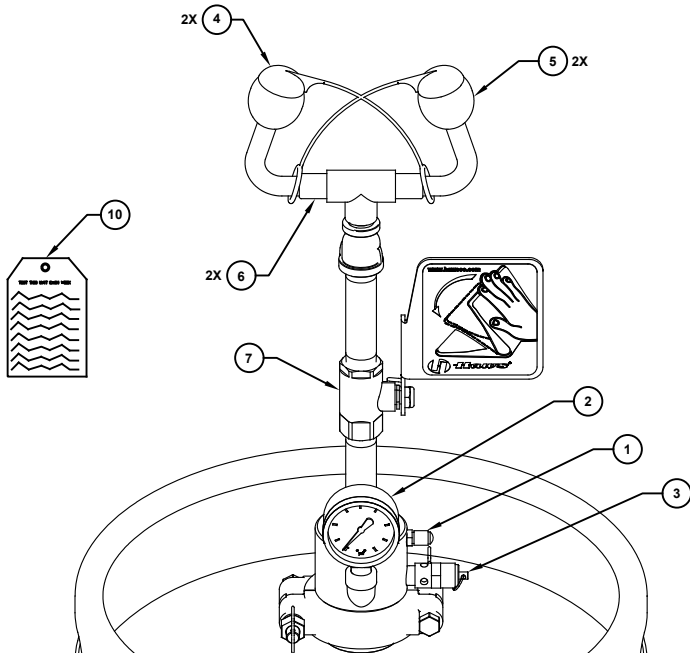
- A. Ensure that the tank is filled with 10 gallons of clean, potable water.
- B. Recharge with clean air to 75 psi, if applicable. **Regulate compressed air source to 165 psi or less.**
- C. Follow Procedure A or Procedure B of Step 3 above to ensure that water quality is maintained.

TROUBLESHOOTING

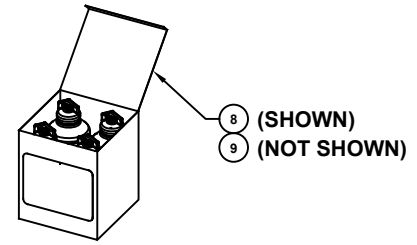
PROBLEM	REPAIR CHECKLIST
1. No flow.	1. a. Tank empty. Refill tank. b. Obstruction in line or fitting. Clear obstruction.
2. Poor flow from eyewash head(s).	2. a. Tighten head assembly. b. Check for obstructions. If necessary, remove eyewash head(s) and clean flow control.
3. Eyewash flows for less than 15 minutes.	3. a. Fill tank with 10 gallons of water. b. Fill tank with pressurized air to 75psi.
4. Heater doesn't turn on. (Model 7603T/7603T240)	4. a. Not plugged in or no power to outlet. b. Check GFCI and/or circuit breaker. c. If ambient temperature is high and doesn't allow the water temperature to drop below 67°F (19°C) the heater may not switch on. Heater settings are: Non-adjustable thermostat preset to switch on at 67°± 5°F (17°± 3°C) and switch off 77°± 5°F (25°± 3°C). Test the thermostat and heater function by applying ice in a circular motion to thermostat location. Apply ice to this location for approximately 3-5 minutes. The heat trace cable should become warm to the touch when operating properly. Thermostat is located on junction box.

For more information about Haws products, see our website: www.hawsc.com

ITEM	DESCRIPTION	PART NO.
1	VALVE, AIR	0006522676
2	GAUGE, PRESSURE	0002580702.5
3	VALVE, RELIEF	0110000459
4	COVER, POP-OFF	9094
5	HEAD, EYEWASH	SP12
6	FLOW CONTROL	0012506950
7	VALVE	SP238
8	ANTIMICROBIAL PRESERVATIVE (4-PACK)	9082
9	ANTIMICROBIAL PRESERVATIVE (12-PACK)	9082-C
10	INSPECTION TAG	0510000504
11	BLANKET	*SEE TABLE

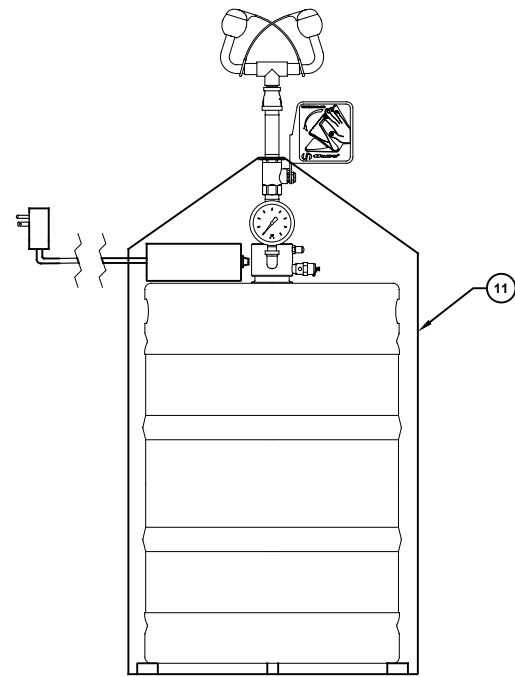


MODEL 7603



(ITEMS 8 & 9 NOT SUPPLIED; MUST BE ORDERED SEPARATELY)

MODELS 7603T / 7603T240




(7603T SHOWN)

* MODEL	BLANKET P/N
7603T	7603BL
7603T240	7603BL240

PARTS BREAKDOWN

WHEN ORDERING PARTS PLEASE SPECIFY MODEL NUMBER.



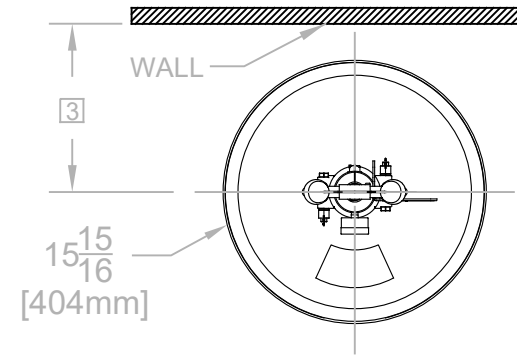
Haws®

1455 KLEPPE LANE
SPARKS, NEVADA 89431
(775) 359-4712 FAX (775) 359-7424
E-MAIL: HAWS@HAWS.CO.COM
WEBSITE: WWW.HAWS.CO.COM

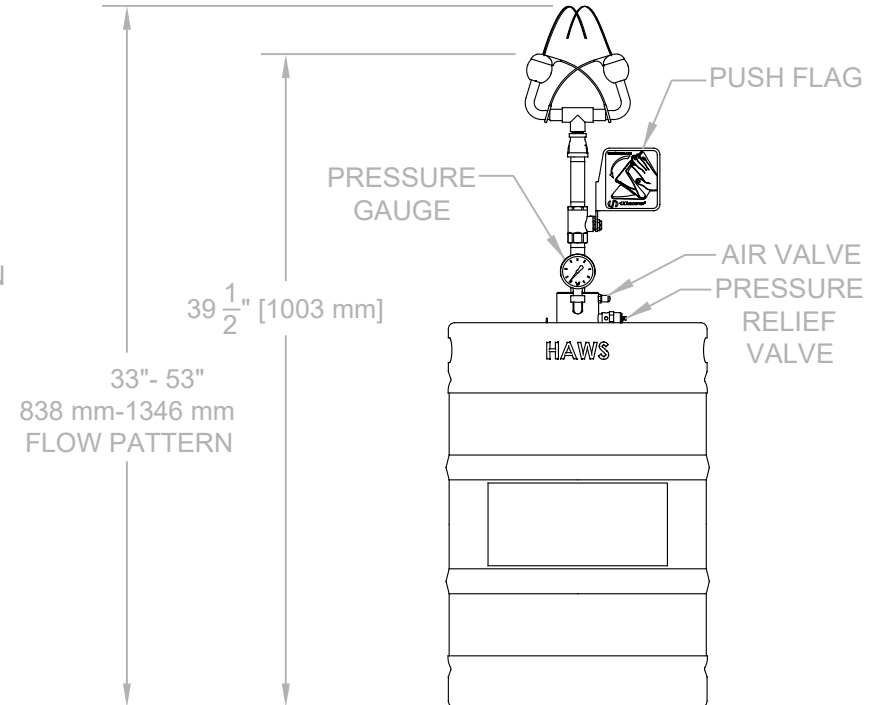
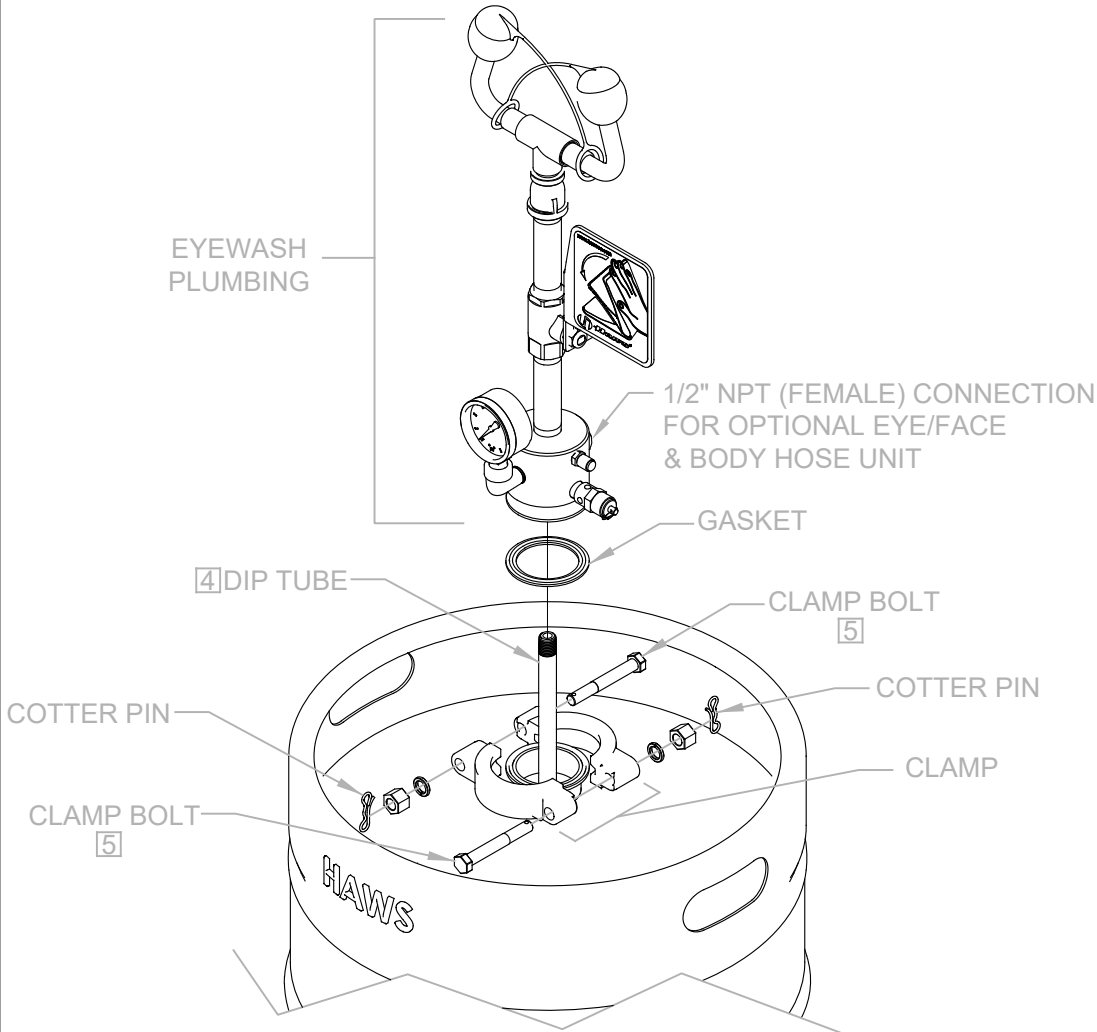
ECN NO. 5074	REVISED PER ECN: 5438	BY FV	MODEL(S) 7603/7603T/7603T240	PART NUMBER 0510000480
DRAWN JL	DATE 05/12/16	CHKD DP		REVISION 4
APPROVED IR	DATE 12/09/19	SCALE: 1:1	DRAWING TYPE: PARTS BREAKDOWN	SIZE: A SHEET 1 OF 1

NOTES:

1. TO COMPLY WITH ANSI/ISEA Z358.1-2014 FOR EMERGENCY EYEWASH OR EYEWASH: EYEWASH OR EYE/FACE WASH SHALL BE POSITIONED SUCH THAT FLUSHING FLUID PATTERN IS NOT LESS THAN 33" (838mm) AND NO GREATER THAN 53" (1346 mm) FROM SURFACE ON WHICH USER STANDS; AND 6.0" (153mm) MINIMUM FROM WALL OR NEAREST OBSTRUCTION.
2. DIMENSIONS MAY VARY BY ±1/2" [12.7mm].
3. EYEWASH HEAD ASSEMBLY MUST BE PARALLEL TO WALL OR OBSTRUCTION TO MEET CRITERIA STATED IN ACCORDANCE TO NOTE 1.
4. USE DOW CORNING 832 SEALANT ON DIP TUBE THREADS; HAND TIGHTEN.
5. TIGHTEN CLAMP BOLTS TO 10 FT. LB. OF TORQUE.
6. FILL WITH 10 GALLONS OF CLEAN POTABLE WATER (NOTE FILL LINE ON MAIN LABEL.)
7. PRESSURIZE TO 75 PSI. REFILL IF PRESSURE IS LESS THAN 70 PSI.
8. WHEN INSTALLING THIS UNIT, LOCAL, STATE, OR FEDERAL CODES SHOULD BE ADHERED TO FOR INSTALLATION DIMENSIONS (LOCATIONS), WASTE AND SUPPLY REQUIREMENTS, ETC.
9. 7603T/7603T240 MUST BE FILLED WITH WATER BEFORE CONNECTING BLANKET TO POWER SOURCE. (NOTES CONTINUED ON PAGE 2 OF 2)



DETAILS FOR MODELS 7603

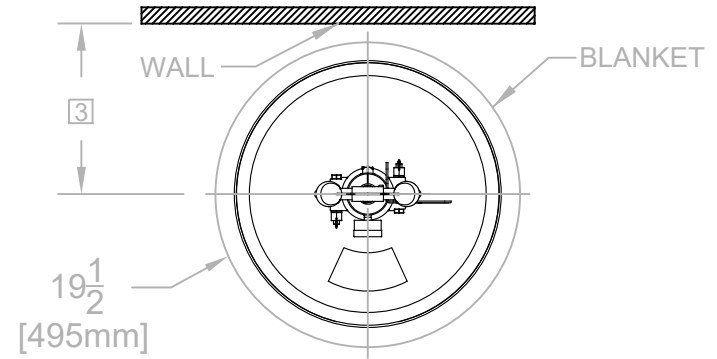


		1455 KLEPPE LANE SPARKS, NEVADA 89431 (775) 359-4712 FAX (775) 359-7424 E-MAIL: HAWS@HAWSCO.COM WEBSITE: WWW.HAWSCO.COM	
		ECN NO. 5074 ECN: 5438 DRAWN: JL APPROVED: IR	REVISED PER: FV DATE: 05/12/16 DATE: 12/09/19
SCALE: N/A	DRAWING TYPE: INSTALLATION	SIZE: A	SHEET 1 OF 2

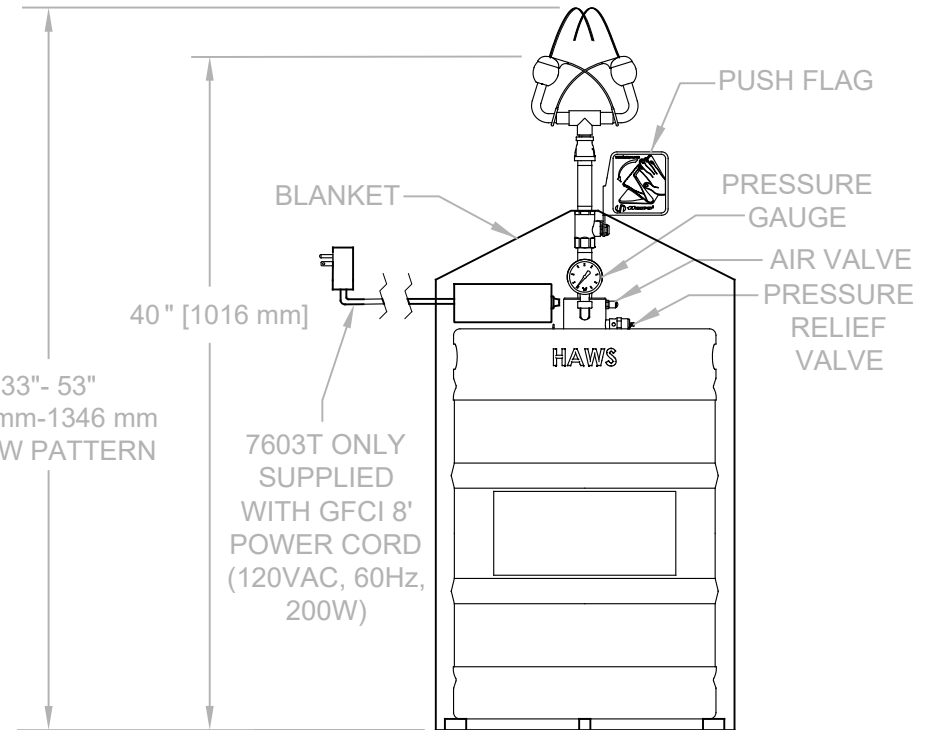
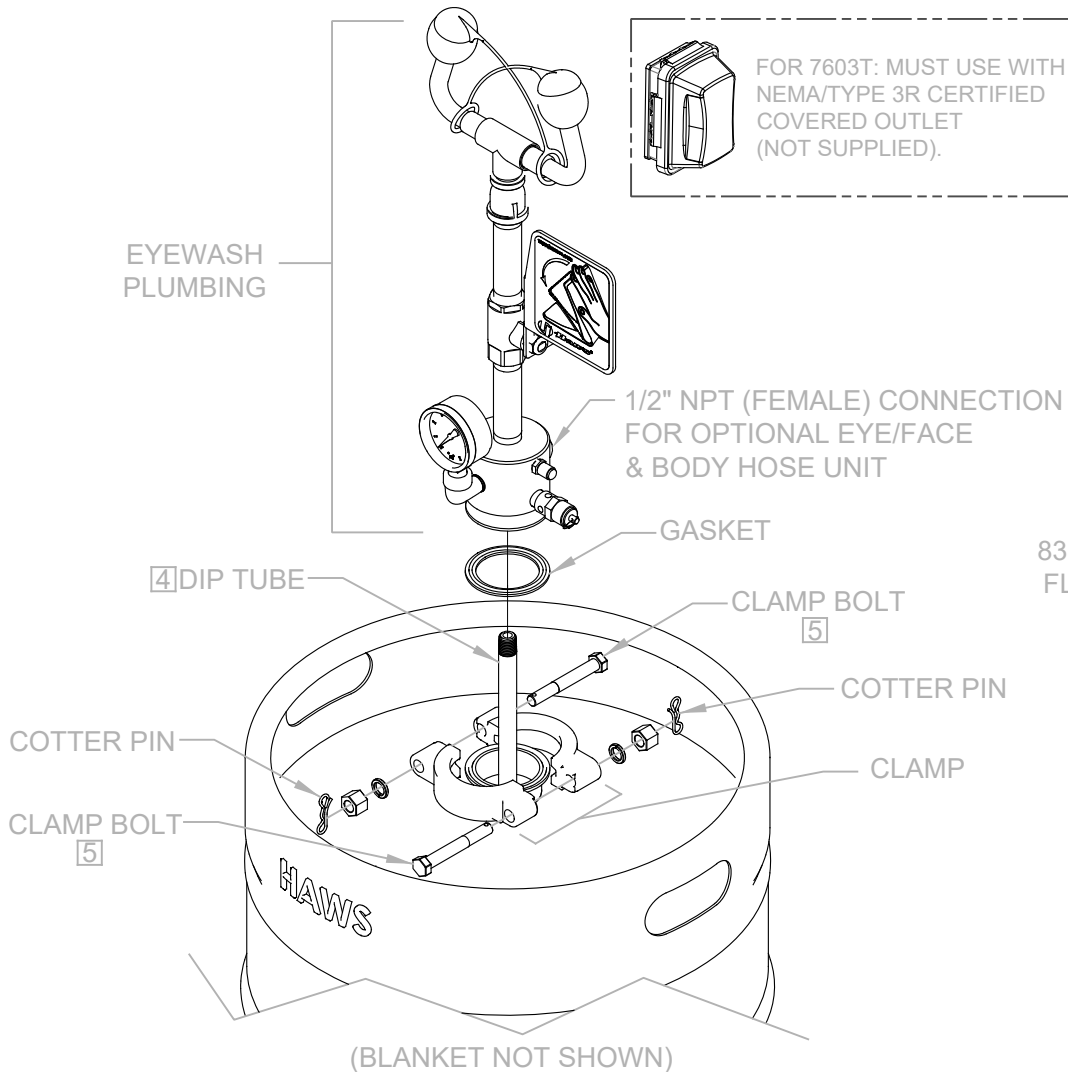
NOTES: (CONTINUED FROM PAGE 1 OF 2)

(FOR MODEL 7603T240):

10. CORD SET SHALL BE LISTED TO UL 817 AND CSA-C22.2 NO. 21 AND PROVIDED WITH 3 WIRE GROUNDING TYPE ATTACHMENT PLUG RATED 240 V, MIN. 15 A.
11. THE FLEXIBLE CORD TYPE SHALL BE TYPE S, SE, SJ, SJE, SJO, SJO, SJO, SJT, SJTO, SJTOO, SO, SOO, ST, STO, OR STOO AND HAVE A TYPE LETTER SUFFIX OF "W," "W-A" OR "OUTDOOR."
12. THE CORD SET SHALL BE MIN. 6 FT IN LENGTH AND MIN 18 AWG SIZE FOR FLEXIBLE POWER SUPPLY CORD.
13. LISTED STRAIN RELIEF BUSHING SUITABLE FOR CORD SET SIZE AND OUTDOOR USE SHALL BE USED.
14. ALL MODELS MUST HAVE A GROUND FAULT PROTECTION DEVICE (30mA GFCI) FOR HEAT TRACE. ELECTRICAL CURRENTS MAY BE INSUFFICIENT TO TRIP A CONVENTIONAL CIRCUIT BREAKER. ALL INSTALLATIONS MUST BE INSTALLED IN COMPLIANCE WITH LOCAL, STATE, AND/OR FEDERAL CODES.
15. ALL POWER CONNECTIONS MUST BE MADE ACCORDING TO NEC/ CEC CODE USING FLEXIBLE CONDUIT OR CABLE RATED FOR NEMA/TYP 4 - NO RIGID CONNECTION PERMITTED. MODEL 7603T240 REQUIRES MINIMUM NEMA/TYP 4 COMPLIANT EQUIPMENT.
16. THE FIELD INSTALLED POWER SUPPLY CORD SET NEEDS TO BE INSTALLED BY QUALIFIED PERSONNEL.



DETAILS FOR MODELS 7603T/7603T240 WITH HEATED BLANKET



1455 KLEPPE LANE
SPARKS, NEVADA 89431
(775) 359-4712 FAX (775) 359-7424
E-MAIL: HAWS@HAWS.CO.COM
WEBSITE: WWW.HAWS.CO.COM

ECN NO. 5074	REVISED PER ECN: 5438	BY FV	MODEL(S)	PART NUMBER
DRAWN: MJ	DATE: 10/12/17	CHKD.: DP	7603/7603T/7603T240	0510000480.D
APPROVED: IR	DATE: 12/09/19	SCALE: N/A		REVISION
DRAWING TYPE: INSTALLATION			SIZE: A	SHEET 2 OF 2